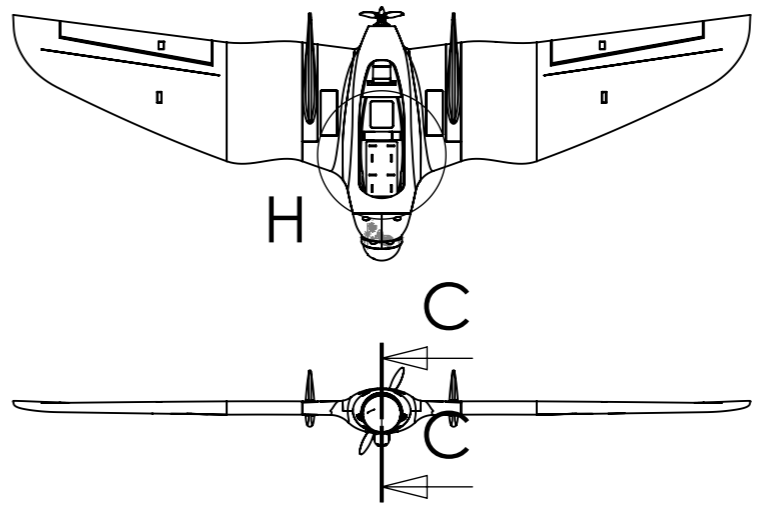
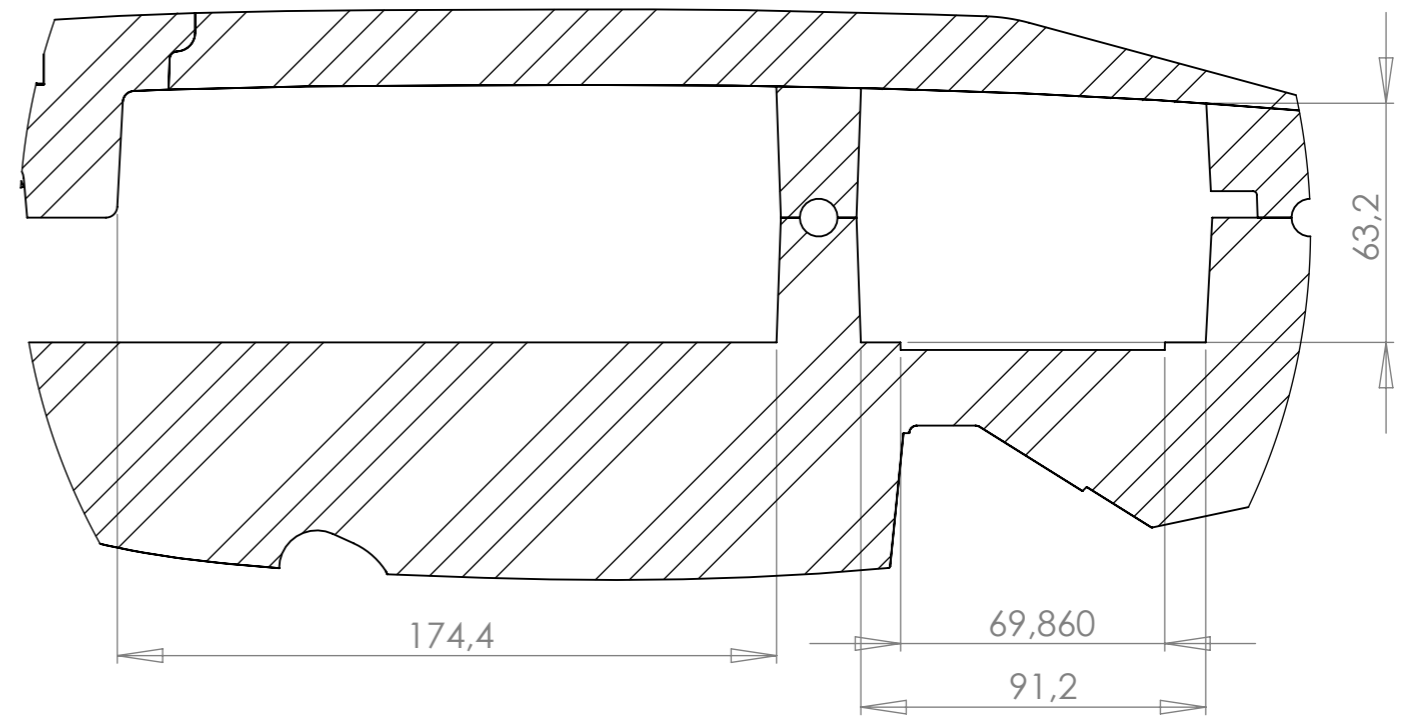
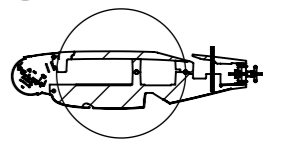


DETAIL H
SCALE 1 : 2



SECTION C-C

SCALE 1 : 20



DETAIL I
SCALE 1 : 2

UNLESS OTHERWISE SPECIFIED: DIMENSIONS ARE IN MILLIMETERS SURFACE FINISH: TOLERANCES: LINEAR: ANGULAR:				FINISH:		DEBUR AND BREAK SHARP EDGES		DO NOT SCALE DRAWING		REVISION	
DRAWN				NAME		SIGNATURE		DATE		TITLE:	
CHK'D											
APPV'D											
MFG											
Q.A								MATERIAL:		DWG NO: drwRVJETcflfpv_130228	
								WEIGHT:		SCALE:1:50	
										SHEET 1 OF 1	